

Motive Battery

Energy Storage Battery

Reserve Battery

Motorcycle Battery



Industry Battery-General Purpose AGM Battery-TN Series

TN12-150

(12V 150Ah)

GENERAL FEATURES

- ◆ Oxygen recombination technology: maintenance-free, no need to add water or acid
- ◆ The patent grid alloy: less gassing, low self-discharge, excellent corrosion resistance
- ◆ Design life is 7~9 years at 25°C under standby application, deep discharge recoverability
- ◆ High quality AGM separator: extend cycle life and prevent micro short circuit
- ◆ ABS container: increase the strength of battery (Flame-retardant ABS UL94-V0 is optional)

Dimension

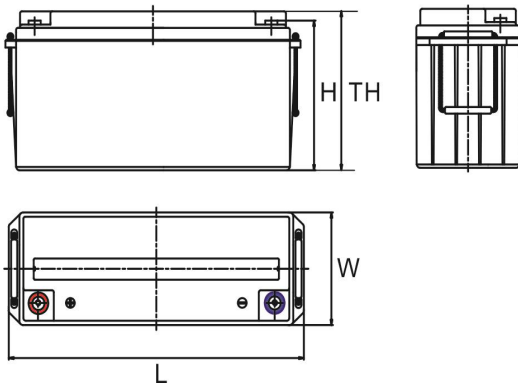
Unit:mm

Length 480±2mm / 18.9inch

Width 170±2mm / 6.69inch

Container Height 240±3mm / 9.45inch

Total Height 240±3mm / 9.45inch



Application

- ◆ Uninterrupted Power Supply (UPS)
- ◆ Communications and electric equipment
- ◆ Emergency lighting equipment
- ◆ Fire alarm and security system
- ◆ Control equipment, and other factory automation equipment
- ◆ Emergency power supply (EPS)
- ◆ Portable VTR/TV, radio and so on
- ◆ Power tools, lawn mowers, vacuum cleaners
- ◆ Cameras and photographic equipment
- ◆ Portable measuring equipment
- ◆ Portable telephone sets
- ◆ Various power toys and hobby equipment
- ◆ Lighting equipment

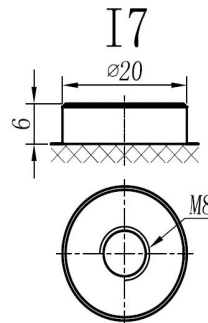
Terminal

Unit:mm

Terminal Type: I7

Weight

42.2kg 93.03lbs



ISO9001 ISO14001 OHSAS18001

This document is subject to change without prior notification

Motive Battery

Energy Storage Battery

Reserve Battery

Motorcycle Battery



TN12-150

Specificaion

Nominal Voltage	12V	
	156Ah	20hr Rate (1.80V/cell)
	150Ah	10hr Rate (1.80V/cell)
Rated Capacity(25°C)	131Ah	5hr Rate (1.75V/cell)
	122Ah	3hr Rate (1.70V/cell)
	93Ah	1hr Rate (1.60V/cell)
Container Material	ABS (Flame-retardant ABS UL94-V0 is optional)	
Operating Temperature Range	Discharge	-20 ~ +50°C
	Charge	0 ~ +40°C
	Storage	-15 ~ +40°C
Capacity Effected by Temperature	40°C / 104°F	106%
	25°C / 77°F	100%
	0°C / 32°F	86%
	-10°C / 14°F	65%
Charge	Float Voltage	2.23 -2.27V/cell@25°C, Tem.Coefficient : -3mV/cell/°C
	Equalize Voltage	2.35 -2.40V/cell@25°C, Tem.Coefficient : -3mV/cell/°C
	Cycle Voltage	2.40 -2.50V/cell@25°C, Tem.Coefficient : -5mV/cell/°C
Max. Charging Current	45A (0.3C)	
Max. Discharge Current (5S)	1500A	
Internal Resistance	3.5mΩ	
Self-Discharge	<3%, TN series stored at 25 °C require a supplementary charge every six months, the charging interval would shrink when the ambient temperature went higher	

Discharge Performance

Constant Current Discharge Table (25°C/77°F) Unit: A

F.V/Time	5min	10min	15min	20min	30min	45min	1h	2h	3h	4h	5h	6h	8h	10h	20h
1.85V/cell	257.0	202.0	171.8	143.7	114.2	87.7	71.76	45.68	36.13	29.54	23.85	20.60	16.77	14.214	7.738
1.80V/cell	344.9	258.2	207.6	169.9	134.7	101.9	80.39	49.94	38.87	31.57	25.58	22.12	17.78	15.015	7.808
1.75V/cell	388.9	283.7	226.7	182.8	139.9	105.8	84.14	51.77	39.59	32.28	26.19	22.73	18.08	15.115	7.888
1.70V/cell	428.3	309.2	242.0	192.1	145.6	110.0	86.78	53.80	40.70	33.09	26.90	23.23	18.28	15.315	8.038
1.67V/cell	472.3	333.6	257.5	204.0	153.7	112.8	89.73	55.32	42.43	34.21	27.61	23.74	18.58	15.616	8.138
1.60V/cell	\	362.3	275.3	217.3	162.2	117.5	92.87	57.14	43.75	35.32	28.52	24.24	18.79	15.816	8.188

Constant Power Discharge Table (25°C/77°F) Unit: W

F.V/Time	5min	10min	15min	20min	30min	45min	1h	2h	3h	4h	5h	6h	8h	10h	20h
1.85V/cell	469.9	373.2	320.6	270.9	217.7	166.2	136.54	87.59	69.47	56.96	46.05	40.14	32.73	28.028	15.315
1.80V/cell	624.0	471.3	382.2	315.5	253.0	191.8	152.15	94.89	74.37	60.46	49.15	42.94	34.63	29.630	15.415
1.75V/cell	688.6	509.5	412.3	336.1	260.5	197.1	158.46	98.10	75.48	61.56	50.35	43.94	35.14	29.930	15.616
1.70V/cell	737.2	542.7	434.0	350.7	269.6	204.2	162.86	101.80	77.38	63.06	51.45	44.84	35.64	30.230	15.816
1.67V/cell	801.4	580.4	458.0	369.7	282.1	207.4	167.17	104.00	80.28	65.07	52.75	45.65	36.14	30.731	16.016
1.60V/cell	\	615.7	481.7	389.6	295.7	215.0	172.17	107.01	82.38	66.87	54.25	46.55	36.34	31.031	16.116

动力电池

储能电池

备用电池

摩托车电池



阀控式免维护铅酸蓄电池 - 通用型

TN12-150

(12V 150Ah)

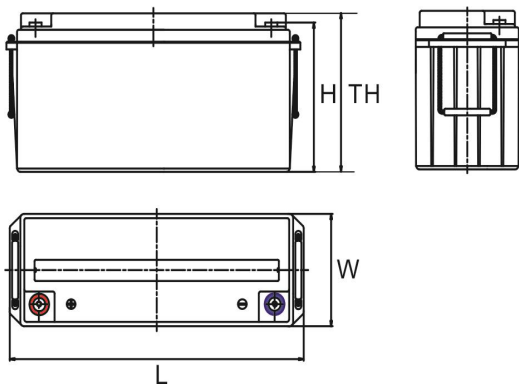
产品特点

- ◆ 阀控式免维护设计，寿命期间无需加水或加酸
- ◆ 专利稀土合金板栅，减少气体产生，自放电率低，抗腐蚀能力出众
- ◆ 在25°C下，产品浮充设计寿命为7~9年，优良的深放电恢复能力
- ◆ 高质量AGM隔板：防止微短路，延长循环寿命
- ◆ ABS壳盖：电池外壳强度高（阻燃壳体UL94-V0可选）

尺寸

单个尺寸

长	480±2mm
宽	170±2mm
高	240±3mm
总高	240±3mm



产品应用

- ◆ 不间断电源(UPS)
- ◆ 通信和电力设备
- ◆ 紧急照明设备
- ◆ 火灾报警及安防系统
- ◆ 控制设备及其他机械自动化设备
- ◆ 应急电源系统
- ◆ 便携式音频设备
- ◆ 电动工具，割草机，真空吸尘器
- ◆ 照相设备
- ◆ 便携式测量工具
- ◆ 便携式通话设备
- ◆ 各式电动玩具及娱乐设施
- ◆ 照明设备

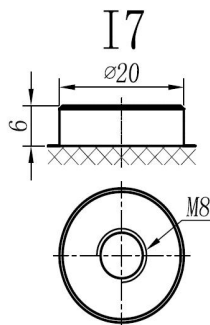
端子类型

单位:mm

端子类型 I7

重量

42.2kg 93.03lbs



内容如有改动，恕不另行通知



ISO9001 ISO14001 OHSAS18001

动力电池

储能电池

备用电池

摩托车电池



TN12-150

规格书

额定电压	12V	
容量(25°C)	156Ah	20hr Rate (1.80V/cell)
	150Ah	10hr Rate (1.80V/cell)
	131Ah	5hr Rate (1.75V/cell)
	122Ah	3hr Rate (1.70V/cell)
	93Ah	1hr Rate (1.60V/cell)
壳体材料	ABS (阻燃ABS壳体可选)	
使用温度范围	放电	-20 ~ +50°C
	充电	0 ~ +40°C
	储存	-15 ~ +40°C
不同温度下 电池容量系数	40°C / 104°F	106%
	25°C / 77°F	100%
	0°C / 32°F	86%
	-10°C / 14°F	65%
充电	浮充电压	2.23 -2.27V/单格@25°C, 温度补偿系数: -3mV/单格/°C
	均充电压	2.35 -2.40V/单格@25°C, 温度补偿系数: -3mV/单格/°C
	循环使用电压	2.40 -2.50V/单格@25°C, 温度补偿系数: -5mV/单格/°C
最大充电电流	45A (0.3C)	
最大放电电流 (5S)	1500A	
电阻	3.5mΩ	
自放电	<3%, TN系列储存在25°C 时需每6个月进行一次补充充电, 环境温度更高时则充电间隔时间越短	

放电性能

恒电流放电表 (25°C/77°F) 单位: A															
F.V/Time	5min	10min	15min	20min	30min	45min	1h	2h	3h	4h	5h	6h	8h	10h	20h
1.85V/cell	257.0	202.0	171.8	143.7	114.2	87.7	71.76	45.68	36.13	29.54	23.85	20.60	16.77	14.214	7.738
1.80V/cell	344.9	258.2	207.6	169.9	134.7	101.9	80.39	49.94	38.87	31.57	25.58	22.12	17.78	15.015	7.808
1.75V/cell	388.9	283.7	226.7	182.8	139.9	105.8	84.14	51.77	39.59	32.28	26.19	22.73	18.08	15.115	7.888
1.70V/cell	428.3	309.2	242.0	192.1	145.6	110.0	86.78	53.80	40.70	33.09	26.90	23.23	18.28	15.315	8.038
1.67V/cell	472.3	333.6	257.5	204.0	153.7	112.8	89.73	55.32	42.43	34.21	27.61	23.74	18.58	15.616	8.138
1.60V/cell	\	362.3	275.3	217.3	162.2	117.5	92.87	57.14	43.75	35.32	28.52	24.24	18.79	15.816	8.188

恒功率放电表 (25°C/77°F) 单位: W															
F.V/Time	5min	10min	15min	20min	30min	45min	1h	2h	3h	4h	5h	6h	8h	10h	20h
1.85V/cell	469.9	373.2	320.6	270.9	217.7	166.2	136.54	87.59	69.47	56.96	46.05	40.14	32.73	28.028	15.315
1.80V/cell	624.0	471.3	382.2	315.5	253.0	191.8	152.15	94.89	74.37	60.46	49.15	42.94	34.63	29.630	15.415
1.75V/cell	688.6	509.5	412.3	336.1	260.5	197.1	158.46	98.10	75.48	61.56	50.35	43.94	35.14	29.930	15.616
1.70V/cell	737.2	542.7	434.0	350.7	269.6	204.2	162.86	101.80	77.38	63.06	51.45	44.84	35.64	30.230	15.816
1.67V/cell	801.4	580.4	458.0	369.7	282.1	207.4	167.17	104.00	80.28	65.07	52.75	45.65	36.14	30.731	16.016
1.60V/cell	\	615.7	481.7	389.6	295.7	215.0	172.17	107.01	82.38	66.87	54.25	46.55	36.34	31.031	16.116