

Motive Battery

Energy Storage Battery

Reserve Battery

Motorcycle Battery



Industry Battery-General Purpose AGM Battery-TN Series

TN12-150B

(12V 150Ah)

GENERAL FEATURES

- Oxygen recombination technology: maintenance-free, no need to add water or acid
- The patent grid alloy: less gassing, low self-discharge, excellent corrosion resistance
- Design life is 7~9 years at 25°C under standby application, deep discharge recoverability
- High quality AGM separator: extend cycle life and prevent micro short circuit
- ABS container: increase the strength of battery (Flame-retardant ABS UL94-V0 is optional)

Dimension

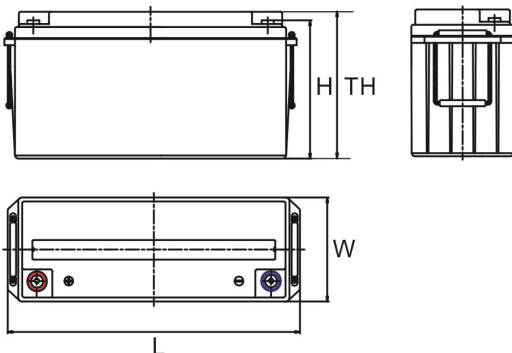
Unit:mm

Length 480±2mm / 18.9inch

Width 170±2mm / 6.69inch

Container Height 240±3mm / 9.45inch

Total Height 240±3mm / 9.45inch



Application

- Uninterrupted Power Supply (UPS)
- Communications and electric equipment
- Emergency lighting equipment
- Fire alarm and security system
- Control equipment, and other factory automation equipment
- Emergency power supply (EPS)
- Portable VTR/TV, radio and so on
- Power tools, lawn mowers, vacuum cleaners
- Cameras and photographic equipment
- Portable measuring equipment
- Portable telephone sets
- Various power toys and hobby equipment
- Lighting equipment

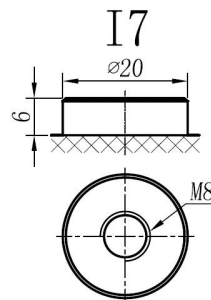
Terminal

Unit:mm

Terminal Type: I7

Weight

41.5kg 91.75lbs



ISO9001 ISO14001 OHSAS18001

This document is subject to change without prior notification

Motive Battery

Energy Storage Battery

Reserve Battery

Motorcycle Battery



TN12-150B

Specification

Nominal Voltage	12V	
Rated Capacity(25°C)	150Ah	20hr Rate(1.80V/cell)
	144Ah	10hr Rate(1.80V/cell)
	126Ah	5hr Rate(1.75V/cell)
	117Ah	3hr Rate(1.70V/cell)
	89Ah	1hr Rate(1.60V/cell)
Container Material	ABS (Flame-retardant ABS UL94-V0 is optional)	
Operating Temperature Range	Discharge	-20 ~ +50°C
	Charge	0 ~ +40°C
	Storage	-15 ~ +40°C
Capacity Effected by Temperature	40°C / 104°F	106%
	25°C / 77°F	100%
	0°C / 32°F	86%
	-10°C / 14°F	65%
Charge	Float Voltage	2.23 -2.27V/cell@25°C, Tem.Coefficient : -3mV/cell/°C
	Equalize Voltage	2.35 -2.40V/cell@25°C, Tem.Coefficient : -3mV/cell/°C
	Cycle Voltage	2.40 -2.50V/cell@25°C, Tem.Coefficient : -5mV/cell/°C
Max. Charging Current	45A (0.3C)	
Max. Discharge Current (5S)	1450A	
Internal Resistance	3.6mΩ	
Self-Discharge	<3%, TN series stored at 25 °C require a supplementary charge every six months, the charging interval would shrink when the ambient temperature went higher	

Discharge Performance

Constant Current Discharge Table (25°C/77°F) Unit: A

F.V/Time	5min	10min	15min	20min	30min	45min	1h	2h	3h	4h	5h	6h	8h	10h	20h
1.85V/cell	246.7	193.9	164.9	138.0	109.6	84.2	68.89	43.85	34.69	28.36	22.90	19.78	16.10	13.646	7.428
1.80V/cell	331.1	247.8	199.3	163.1	129.3	97.8	77.17	47.94	37.32	30.30	24.55	21.23	17.06	14.414	7.495
1.75V/cell	373.3	272.3	217.7	175.5	134.3	101.5	80.78	49.69	38.00	30.99	25.14	21.82	17.36	14.510	7.572
1.70V/cell	411.2	296.8	232.4	184.4	139.8	105.6	83.31	51.64	39.07	31.77	25.82	22.30	17.55	14.703	7.717
1.67V/cell	453.4	320.3	247.2	195.8	147.5	108.3	86.14	53.10	40.73	32.84	26.50	22.79	17.84	14.991	7.813
1.60V/cell	\	347.8	264.3	208.6	155.7	112.8	89.16	54.86	42.00	33.91	27.38	23.27	18.03	15.183	7.861

Constant Power Discharge Table (25°C/77°F) Unit: W

F.V/Time	5min	10min	15min	20min	30min	45min	1h	2h	3h	4h	5h	6h	8h	10h	20h
1.85V/cell	451.1	358.2	307.8	260.0	209.0	159.5	131.07	84.08	66.69	54.68	44.20	38.53	31.42	26.907	14.703
1.80V/cell	599.1	452.4	366.9	302.9	242.8	184.1	146.07	91.10	71.40	58.04	47.18	41.23	33.25	28.444	14.799
1.75V/cell	661.0	489.1	395.8	322.7	250.0	189.2	152.12	94.17	72.46	59.10	48.34	42.19	33.73	28.733	14.991
1.70V/cell	707.7	521.0	416.7	336.6	258.8	196.0	156.35	97.73	74.28	60.54	49.39	43.05	34.21	29.021	15.183
1.67V/cell	769.3	557.2	439.6	354.9	270.8	199.1	160.48	99.84	77.07	62.46	50.64	43.82	34.69	29.501	15.375
1.60V/cell	\	591.1	462.4	374.0	283.9	206.4	165.29	102.73	79.09	64.19	52.08	44.68	34.88	29.790	15.471

□ 动力电池

■ 储能电池

■ 备用电池

□ 摩托车电池



阀控式免维护铅酸蓄电池-通用型

TN12-150B

(12V 150Ah)

产品特点

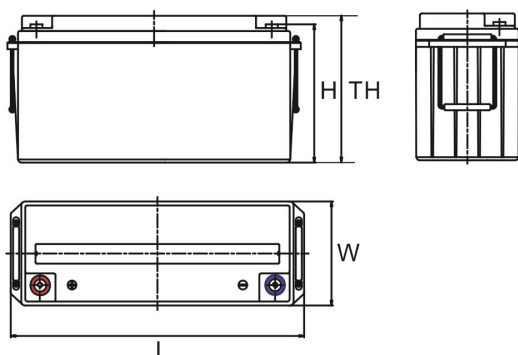
- ◆ 阀控式免维护设计，寿命期间无需加水或加酸
- ◆ 专利稀土合金板栅，减少气体产生，自放电率低，抗腐蚀能力出众
- ◆ 在25°C下，产品浮充设计寿命为7~9年，优良的深放电恢复能力
- ◆ 高质量AGM隔板：防止微短路，延长循环寿命
- ◆ ABS壳盖：电池外壳强度高（阻燃壳体UL94-V0可选）



尺寸

单个尺寸

长	480±2mm
宽	170±2mm
高	240±3mm
总高	240±3mm



产品应用

- ◆ 不间断电源(UPS)
- ◆ 通信和电力设备
- ◆ 紧急照明设备
- ◆ 火灾报警及安防系统
- ◆ 控制设备及其他机械自动化设备
- ◆ 应急电源系统
- ◆ 便携式音频设备
- ◆ 电动工具，割草机，真空吸尘器
- ◆ 照相设备
- ◆ 便携式测量工具
- ◆ 便携式通话设备
- ◆ 各式电动玩具及娱乐设施
- ◆ 照明设备

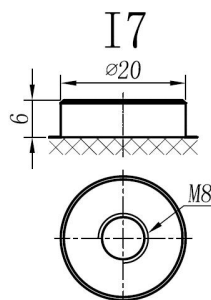
端子类型

单位:mm

端子类型 I7

重量

41.5kg 91.75lbs



内容如有改动，恕不另行通知



□ 动力电池

■ 储能电池

■ 备用电池

□ 摩托车电池



TN12-150B

规格书

额定电压	12V	
容量(25°C)	150Ah	20hr Rate(1.80V/cell)
	144Ah	10hr Rate(1.80V/cell)
	126Ah	5hr Rate(1.75V/cell)
	117Ah	3hr Rate(1.70V/cell)
	89Ah	1hr Rate(1.60V/cell)
壳体材料	ABS (阻燃ABS壳体可选)	
使用温度范围	放电	-20 ~ +50°C
	充电	0 ~ +40°C
	储存	-15 ~ +40°C
不同温度下 电池容量系数	40°C / 104°F	106%
	25°C / 77°F	100%
	0°C / 32°F	86%
	-10°C / 14°F	65%
充电	浮充电压	2.23 - 2.27V/单格@25°C, 温度补偿系数: -3mV/单格/°C
	均充电压	2.35 - 2.40V/单格@25°C, 温度补偿系数: -3mV/单格/°C
	循环使用电压	2.40 - 2.50V/单格@25°C, 温度补偿系数: -5mV/单格/°C
最大充电电流	45A (0.3C)	
最大放电电流 (5S)	1450A	
电阻	3.6mΩ	
自放电	<3%, TN系列储存在25°C时需每6个月进行一次补充充电, 环境温度更高时则充电间隔时间越短	

放电性能

恒电流放电表 (25°C/77°F) 单位: A															
F.V/Time	5min	10min	15min	20min	30min	45min	1h	2h	3h	4h	5h	6h	8h	10h	20h
1.85V/cell	246.7	193.9	164.9	138.0	109.6	84.2	68.89	43.85	34.69	28.36	22.90	19.78	16.10	13.646	7.428
1.80V/cell	331.1	247.8	199.3	163.1	129.3	97.8	77.17	47.94	37.32	30.30	24.55	21.23	17.06	14.414	7.495
1.75V/cell	373.3	272.3	217.7	175.5	134.3	101.5	80.78	49.69	38.00	30.99	25.14	21.82	17.36	14.510	7.572
1.70V/cell	411.2	296.8	232.4	184.4	139.8	105.6	83.31	51.64	39.07	31.77	25.82	22.30	17.55	14.703	7.717
1.67V/cell	453.4	320.3	247.2	195.8	147.5	108.3	86.14	53.10	40.73	32.84	26.50	22.79	17.84	14.991	7.813
1.60V/cell	\	347.8	264.3	208.6	155.7	112.8	89.16	54.86	42.00	33.91	27.38	23.27	18.03	15.183	7.861

恒功率放电表 (25°C/77°F) 单位: W															
F.V/Time	5min	10min	15min	20min	30min	45min	1h	2h	3h	4h	5h	6h	8h	10h	20h
1.85V/cell	451.1	358.2	307.8	260.0	209.0	159.5	131.07	84.08	66.69	54.68	44.20	38.53	31.42	26.907	14.703
1.80V/cell	599.1	452.4	366.9	302.9	242.8	184.1	146.07	91.10	71.40	58.04	47.18	41.23	33.25	28.444	14.799
1.75V/cell	661.0	489.1	395.8	322.7	250.0	189.2	152.12	94.17	72.46	59.10	48.34	42.19	33.73	28.733	14.991
1.70V/cell	707.7	521.0	416.7	336.6	258.8	196.0	156.35	97.73	74.28	60.54	49.39	43.05	34.21	29.021	15.183
1.67V/cell	769.3	557.2	439.6	354.9	270.8	199.1	160.48	99.84	77.07	62.46	50.64	43.82	34.69	29.501	15.375
1.60V/cell	\	591.1	462.4	374.0	283.9	206.4	165.29	102.73	79.09	64.19	52.08	44.68	34.88	29.790	15.471