

■ Motive Battery

□ Energy Storage Battery

□ Reserve Battery

□ Motorcycle Battery



Motive Battery-Deep Cycle Type-TNE Series

TNE12-100

(12V 100Ah)

GENERAL FEATURES

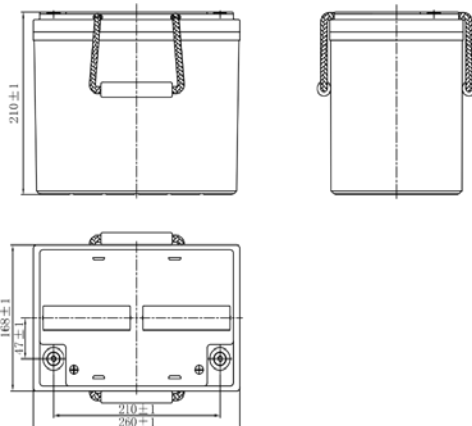
- Oxygen recombination technology: Maintenance Free VRLA Battery, no need to add water or acid
- The patent grid alloy: less gassing, low self-discharge, excellent corrosion resistance performance
- Special paste formula: additives are added to improve deep discharge, long cycle life
- High quality AGM separator: extend cycle life and prevent micro short circuit
- The patent Nano silica gel electrolytes, extend cycle life and improve the deep discharge performance
- ABS container: increase the strength of battery (Flame-retardant ABSUL94-V0 is optional)



Dimension

Unit:mm

Length	260±2mm / 10.24inch
Width	168±2mm / 6.61inch
Container Height	210±2mm / 8.27inch
Total Height	210±2mm / 8.27inch



Application

- Electric tools or toys
- Electric Bicycle/Tricycle
- Golf trolleys and golf cart
- Patrol car
- Electric Sight-seeing Tour Bus
- Sweeper
- Wheelchairs
- Lawn mowers
- Illumination light

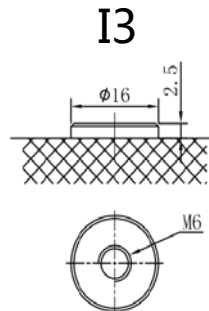
Terminal

Unit:mm

Terminal Type: I3

Weight

26kg 57.32lbs



This document is subject to change without prior notification

- Motive Battery
- Energy Storage Battery
- Reserve Battery
- Motorcycle Battery



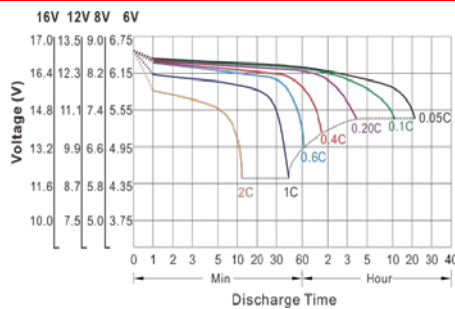
TNE12-100

Specificaion

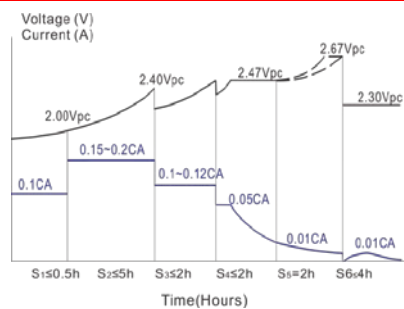
Nominal Voltage	12V	
Nominal Capacity	100Ah	
Rated Capacity	C20(1.80V/cell)	100Ah
Capacity (25°C)	C10(1.80V/cell)	90Ah
	C5(1.75V/cell)	85Ah
Container Material	ABS (Flame-retardant ABSUL94-V0 is optional)	
Operating Temperature Range	Discharge	-20 ~ +50°C
	Charge	0 ~ +40°C
	Storage	-15 ~ +40°C
Capacity Effected by Temperature	40°C / 104°F	106%
	25°C / 77°F	100%
	0°C / 32°F	86%
	-10°C / 14°F	65%
Charge Method	Please refer to the "Charge Characteristics (25°C)" below	
Monthly Self Discharge	<3%, TNE series stored at 25°C require a supplementary charge every six months, the charging interval would shrink when the ambient temperature went higher	

Performance Curve

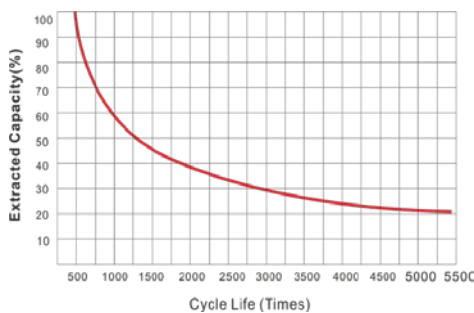
Discharge Characteristics (25°C)



Charge Characteristics (25°C)



Cycle Lives With Depth Of Discharge



Self-Discharge Characteristics

