

Motive Battery

Energy Storage Battery

Reserve Battery

Motorcycle Battery



### Motive Battery-Deep Cycle Type-TNE Series

# TNE6-250

## (6V 245Ah)

### GENERAL FEATURES

- ◆ Oxygen recombination technology: Maintenance Free VRLA Battery, no need to add water or acid
- ◆ The patent grid alloy: less gassing, low self-discharge, excellent corrosion resistance performance
- ◆ Special paste formula: additives are added to improve deep discharge, long cycle life
- ◆ High quality AGM separator: extend cycle life and prevent micro short circuit
- ◆ The patent Nano silica gel electrolytes, extend cycle life and improve the deep discharge performance
- ◆ ABS container: increase the strength of battery (Flame-retardant ABSUL94-V0 is optional)



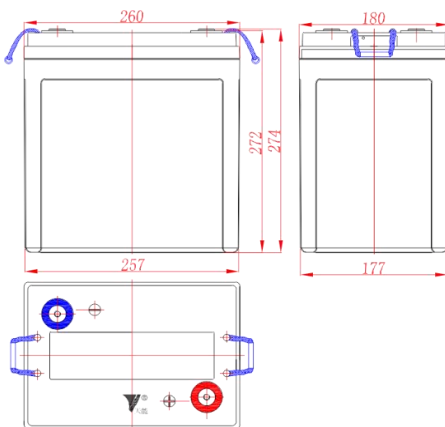
### Application

- ◆ Electric tools or toys
- ◆ Electric Bicycle/Tricycle
- ◆ Golf trolleys and golf cart
- ◆ Patrol car
- ◆ Electric Sight-seeing Tour Bus
- ◆ Sweeper
- ◆ Wheelchairs
- ◆ Lawn mowers
- ◆ Illumination light

### Dimension

Unit:mm

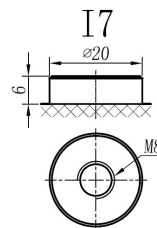
Length	260±2mm / 10.24inch
Width	180±2mm / 7.09inch
Container Height	272±2mm / 10.71inch
Total Height	274±2mm / 10.79inch



### Terminal

Unit:mm

Terminal Type: I7



### Weight

34kg      74.96lbs



This document is subject to change without prior notification

- Motive Battery
- Energy Storage Battery
- Reserve Battery
- Motorcycle Battery



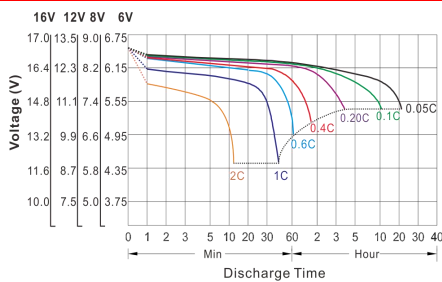
## TNE6-250

### Specifaion

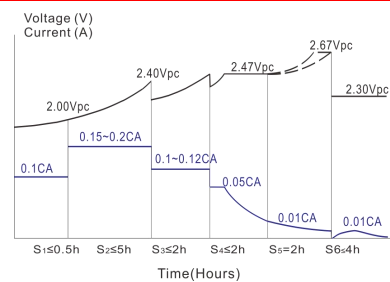
<b>Nominal Voltage</b>	6V	
<b>Nominal Capacity</b>	245Ah	
<b>Rated Capacity</b>	<b>C20(1.80V/cell)</b>	245Ah
<b>Capacity (25°C)</b>	<b>C10(1.80V/cell)</b>	230Ah
	<b>C5(1.75V/cell)</b>	220Ah
<b>Container Material</b>	ABS (Flame-retardant ABSUL94-V0 is optional)	
<b>Operating Temperature Range</b>	<b>Discharge</b>	-20 ~ +50°C
	<b>Charge</b>	0 ~ +40°C
	<b>Storage</b>	-15 ~ +40°C
<b>Capacity Effected by Temperature</b>	<b>40°C / 104°F</b>	106%
	<b>25°C / 77°F</b>	100%
	<b>0°C / 32°F</b>	86%
	<b>-10°C / 14°F</b>	65%
<b>Charge Method</b>	Please refer to the "Charge Characteristics (25°C)" below	
<b>Monthly Self Discharge</b>	<3%, TNE series stored at 25°C require a supplementary charge every six months, the charging interval would shrink when the ambient temperature went higher	

### Performance Curve

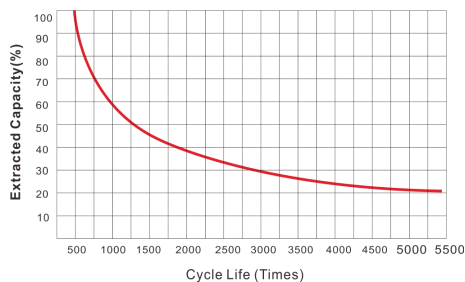
#### Discharge Characteristics ( 25°C )



#### Charge Characteristics ( 25°C )



#### Cycle Lives With Depth Of Discharge



#### Self-Discharge Characteristics

