

Motive Battery

Energy Storage Battery

Reserve Battery

Motorcycle Battery



Maintenance Free VRLA AGM Battery - Long Life Type

TNL12-100

(12V 100Ah)

GENERAL FEATURES

- ◆ Cycle or standby (or float) application
- ◆ Design life is 10~12 years at 25°C under standby application, deep discharge recoverability
- ◆ It has safety, low resistance so recharge is easy and energy output is more remarkable
- ◆ Deep discharge recoverability
- ◆ Strictly manufacture process control and high consistency
- ◆ ISO9001, ISO14001 certified
- ◆ UL, IEC60896-21&22, TLC, CE and European council Directive 2006/66/EC and its amendment (2008/12/EC) certification

Dimension

Unit:mm

Length 330±2mm / 12.99inch

Width 172±2mm / 6.77inch

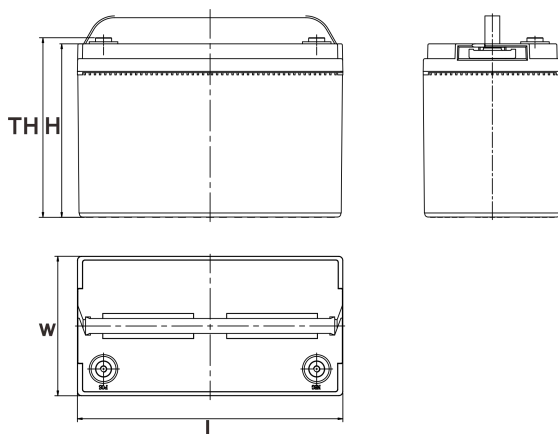
Container Height 214±3mm / 8.43inch

Total Height 221.5±3mm / 8.72inch



Application

- ◆ Uninterrupted Power Supply (UPS)
- ◆ Communications and electric equipment
- ◆ Emergency lighting equipment
- ◆ Fire alarm and security system
- ◆ Robots, control equipment, and other factory automation equipment
- ◆ Emergency power supply (EPS)
- ◆ Portable VTR/TV, radio and so on
- ◆ Power tools, lawn mowers, vacuum cleaners
- ◆ Cameras and photographic equipment
- ◆ Portable measuring equipment
- ◆ Portable telephone sets
- ◆ Various power toys and hobby equipment
- ◆ Lighting equipment



Terminal

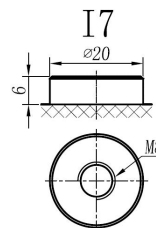
Unit:mm

Terminal Type: I7

Weight

32kg

70.55lbs



ISO9001 ISO14001 OHSAS18001

This document is subject to change without prior notification

Motive Battery

Energy Storage Battery

Reserve Battery

Motorcycle Battery



TNL12-100

Specificaion

| | | |
|---|---|---|
| Nominal Voltage | 12V | |
| Rated Capacity(25°C) | 108Ah | 20hr Rate(1.80V/cell) |
| | 100Ah | 10hr Rate(1.80V/cell) |
| | 88Ah | 5hr Rate(1.75V/cell) |
| | 83Ah | 3hr Rate(1.70V/cell) |
| | 63Ah | 1hr Rate(1.60V/cell) |
| Container Material | ABS (Flame-retardant ABS UL94-V0 is optional) | |
| Operating Temperature Range | Discharge | -20 ~ +50°C |
| | Charge | 0 ~ +40°C |
| | Storage | -15 ~ +40°C |
| Capacity Effected by Temperature | 40°C / 104°F | 106% |
| | 25°C / 77°F | 100% |
| | 0°C / 32°F | 86% |
| | -10°C / 14°F | 65% |
| Charge | Float Voltage | 2.23 -2.27V/cell@25°C, Tem.Coefficient : -3mV/cell/°C |
| | Equalize Voltage | 2.35 -2.40V/cell@25°C, Tem.Coefficient : -3mV/cell/°C |
| | Cycle Voltage | 2.40 -2.50V/cell@25°C, Tem.Coefficient : -5mV/cell°C |
| Max. Charging Current | 30A (0.3C) | |
| Max. Discharge Current (5S) | 1200A | |
| Internal Resistance | 4.9mΩ | |
| Self-Discharge | <3%, TN series stored at 25 °C require a supplementary charge every six months, the charging interval would shrink when the ambient temperature went higher | |

Discharge Performance

Constant Current Discharge Table (25°C/77°F) Unit: A

| F.V/Time | 10min | 15min | 20min | 30min | 45min | 1h | 2h | 3h | 4h | 5h | 6h | 8h | 10h | 20h |
|------------|-------|-------|-------|-------|-------|-------|-------|-------|-------|-------|-------|-------|--------|-------|
| 1.85V/cell | 117.1 | 98.5 | 87.4 | 72.5 | 56.7 | 48.52 | 31.47 | 23.65 | 19.39 | 16.24 | 14.24 | 11.41 | 9.700 | 5.175 |
| 1.80V/cell | 134.0 | 110.6 | 96.6 | 78.7 | 61.2 | 51.26 | 33.80 | 25.38 | 20.60 | 17.26 | 15.05 | 12.02 | 10.010 | 5.385 |
| 1.75V/cell | 152.3 | 124.6 | 106.8 | 85.6 | 66.7 | 55.83 | 35.12 | 26.39 | 21.32 | 17.66 | 15.55 | 12.42 | 10.310 | 5.495 |
| 1.70V/cell | 171.9 | 138.3 | 117.9 | 93.4 | 71.9 | 59.07 | 37.05 | 27.81 | 22.23 | 18.68 | 16.26 | 12.93 | 10.711 | 5.636 |
| 1.67V/cell | 184.6 | 148.0 | 125.4 | 98.6 | 76.0 | 61.10 | 38.37 | 28.93 | 23.14 | 19.29 | 16.87 | 13.33 | 11.011 | 5.806 |
| 1.60V/cell | 203.1 | 162.2 | 136.2 | 105.2 | 79.1 | 62.93 | 39.38 | 29.64 | 23.65 | 19.69 | 17.17 | 13.53 | 11.211 | 5.896 |

Constant Power Discharge Table (25°C/77°F) Unit: W

| F.V/Time | 10min | 15min | 20min | 30min | 45min | 1h | 2h | 3h | 4h | 5h | 6h | 8h | 10h | 20h |
|------------|-------|-------|-------|-------|-------|--------|-------|-------|-------|-------|-------|-------|--------|--------|
| 1.85V/cell | 218.7 | 185.8 | 166.5 | 139.5 | 108.6 | 93.29 | 60.76 | 45.85 | 37.74 | 31.83 | 27.93 | 22.52 | 19.419 | 10.310 |
| 1.80V/cell | 247.3 | 205.8 | 181.4 | 149.3 | 116.2 | 97.90 | 64.86 | 49.05 | 39.84 | 33.53 | 29.43 | 23.62 | 20.020 | 10.711 |
| 1.75V/cell | 276.5 | 229.1 | 198.5 | 161.0 | 125.6 | 106.21 | 67.27 | 50.75 | 41.04 | 34.23 | 30.33 | 24.32 | 20.521 | 10.911 |
| 1.70V/cell | 305.2 | 250.8 | 217.5 | 174.8 | 134.8 | 112.11 | 70.67 | 53.35 | 42.84 | 36.14 | 31.73 | 25.33 | 21.221 | 11.211 |
| 1.67V/cell | 324.8 | 266.5 | 229.7 | 182.9 | 141.3 | 115.12 | 72.87 | 55.26 | 44.34 | 37.14 | 32.73 | 26.13 | 21.822 | 11.612 |
| 1.60V/cell | 349.2 | 287.1 | 246.8 | 193.8 | 146.1 | 117.92 | 74.37 | 56.46 | 45.25 | 37.94 | 33.33 | 26.53 | 22.222 | 22.723 |

动力电池

储能电池

备用电池

摩托车电池



阀控式免维护AGM电池-长寿命系列

TNL12-100

(12V 100Ah)

产品特点

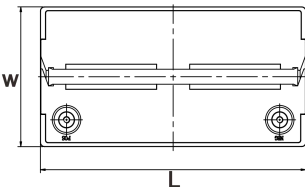
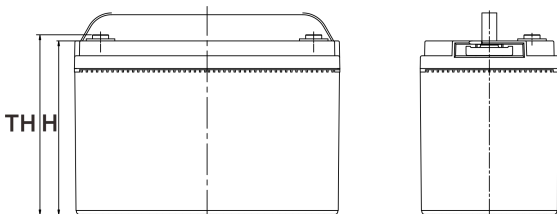
- ◆ 适合循环或者后备（浮充）使用
- ◆ 在25°C下，产品浮充设计寿命为10~12年，优良的深放电恢复能力
- ◆ 电池内阻低，回充效率高，放电能力出众
- ◆ 深放电恢复能力出色
- ◆ 严格的生产过程控制，先进的生产设备，产品一致性高
- ◆ 生产工厂通过ISO9001, ISO14001质量控制认证
- ◆ 认证齐全，UL, IEC60896-21&22, 泰尔（TLC），CE认证，满足欧盟电池指令2006/66/EC及其修正版（2013/56/EU）要求



尺寸

单个尺寸

| | |
|----|-----------|
| 长 | 330±2mm |
| 宽 | 172±2mm |
| 高 | 214±3mm |
| 总高 | 221.5±3mm |



产品应用

- ◆ 不间断电源(UPS)
- ◆ 通信和电力设备
- ◆ 紧急照明设备
- ◆ 火灾报警及安防系统
- ◆ 机器人、控制设备及其他机械自动化设备
- ◆ 应急电源系统
- ◆ 便携式音频设备
- ◆ 电动工具，割草机，真空吸尘器
- ◆ 照相设备
- ◆ 便携式测量工具
- ◆ 便携式通话设备
- ◆ 各式电动玩具及娱乐设施
- ◆ 照明设备

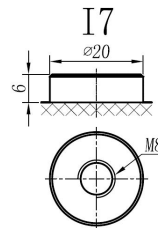
端子类型

单位:mm

端子类型 I7

重量

32kg 70.55lbs



内容如有改动，恕不另行通知

动力电池

储能电池

备用电池

摩托车电池



TNL12-100

规格书

| | | |
|-----------------|---|---|
| 额定电压 | 12V | |
| 容量(25°C) | 108Ah | 20hr Rate(1.80V/cell) |
| | 100Ah | 10hr Rate(1.80V/cell) |
| | 88Ah | 5hr Rate(1.75V/cell) |
| | 83Ah | 3hr Rate(1.70V/cell) |
| | 63Ah | 1hr Rate(1.60V/cell) |
| 壳体材料 | ABS (阻燃ABS壳体可选) | |
| 使用温度范围 | 放电 | -20 ~ +50°C |
| | 充电 | 0 ~ +40°C |
| | 储存 | -15 ~ +40°C |
| 不同温度下 电池容量系数 | 40°C / 104°F | 106% |
| | 25°C / 77°F | 100% |
| | 0°C / 32°F | 86% |
| | -10°C / 14°F | 65% |
| 充电 | 浮充电压 | 2.23 -2.27V/单格@25°C, 温度补偿系数: -3mV/单格/°C |
| | 均充电压 | 2.35 -2.40V/单格@25°C, 温度补偿系数: -3mV/单格/°C |
| | 循环使用电压 | 2.40 -2.50V/单格@25°C, 温度补偿系数: -5mV/单格/°C |
| 最大充电电流 | 30A (0.3C) | |
| 最大放电电流(5S) | 1200A | |
| 电阻 | 4.9mΩ | |
| 自放电 | <3%, TN系列储存在25°C 时需每6个月进行一次补充充电, 环境温度更高时则充电间隔时间越短 | |

放电性能

| 恒电流放电表 (25°C/77°F) 单位: A | | | | | | | | | | | | | | |
|--------------------------|-------|-------|-------|-------|-------|-------|-------|-------|-------|-------|-------|-------|--------|-------|
| F.V/Time | 10min | 15min | 20min | 30min | 45min | 1h | 2h | 3h | 4h | 5h | 6h | 8h | 10h | 20h |
| 1.85V/cell | 117.1 | 98.5 | 87.4 | 72.5 | 56.7 | 48.52 | 31.47 | 23.65 | 19.39 | 16.24 | 14.24 | 11.41 | 9.700 | 5.175 |
| 1.80V/cell | 134.0 | 110.6 | 96.6 | 78.7 | 61.2 | 51.26 | 33.80 | 25.38 | 20.60 | 17.26 | 15.05 | 12.02 | 10.010 | 5.385 |
| 1.75V/cell | 152.3 | 124.6 | 106.8 | 85.6 | 66.7 | 55.83 | 35.12 | 26.39 | 21.32 | 17.66 | 15.55 | 12.42 | 10.310 | 5.495 |
| 1.70V/cell | 171.9 | 138.3 | 117.9 | 93.4 | 71.9 | 59.07 | 37.05 | 27.81 | 22.23 | 18.68 | 16.26 | 12.93 | 10.711 | 5.636 |
| 1.67V/cell | 184.6 | 148.0 | 125.4 | 98.6 | 76.0 | 61.10 | 38.37 | 28.93 | 23.14 | 19.29 | 16.87 | 13.33 | 11.011 | 5.806 |
| 1.60V/cell | 203.1 | 162.2 | 136.2 | 105.2 | 79.1 | 62.93 | 39.38 | 29.64 | 23.65 | 19.69 | 17.17 | 13.53 | 11.211 | 5.896 |

| 恒功率放电表 (25°C/77°F) 单位: W | | | | | | | | | | | | | | |
|--------------------------|-------|-------|-------|-------|-------|--------|-------|-------|-------|-------|-------|-------|--------|--------|
| F.V/Time | 10min | 15min | 20min | 30min | 45min | 1h | 2h | 3h | 4h | 5h | 6h | 8h | 10h | 20h |
| 1.85V/cell | 218.7 | 185.8 | 166.5 | 139.5 | 108.6 | 93.29 | 60.76 | 45.85 | 37.74 | 31.83 | 27.93 | 22.52 | 19.419 | 10.310 |
| 1.80V/cell | 247.3 | 205.8 | 181.4 | 149.3 | 116.2 | 97.90 | 64.86 | 49.05 | 39.84 | 33.53 | 29.43 | 23.62 | 20.020 | 10.711 |
| 1.75V/cell | 276.5 | 229.1 | 198.5 | 161.0 | 125.6 | 106.21 | 67.27 | 50.75 | 41.04 | 34.23 | 30.33 | 24.32 | 20.521 | 10.911 |
| 1.70V/cell | 305.2 | 250.8 | 217.5 | 174.8 | 134.8 | 112.11 | 70.67 | 53.35 | 42.84 | 36.14 | 31.73 | 25.33 | 21.221 | 11.211 |
| 1.67V/cell | 324.8 | 266.5 | 229.7 | 182.9 | 141.3 | 115.12 | 72.87 | 55.26 | 44.34 | 37.14 | 32.73 | 26.13 | 21.822 | 11.612 |
| 1.60V/cell | 349.2 | 287.1 | 246.8 | 193.8 | 146.1 | 117.92 | 74.37 | 56.46 | 45.25 | 37.94 | 33.33 | 26.53 | 22.222 | 22.723 |