

Motive Battery

Energy Storage Battery

Reserve Battery

Motorcycle Battery



Maintenance Free VRLA AGM Battery - Long Life Type

TNL12-100E

(12V 100Ah)

GENERAL FEATURES

- ♦ Oxygen recombination technology: maintenance-free, no need to add water or acid
- ♦ The patent grid alloy: less gassing, low self-discharge, excellent corrosion resistance
- ♦ Long life, low self-discharge rate and high reliability, deep discharge recoverability
- ♦ High quality AGM separator: extend cycle life and prevent micro short circuit
- ♦ ABS container: increase the strength of battery (Flame-retardant ABS UL94-V0 is optional)

Dimension

Unit:mm

Length 330±2mm / 12.99inch

Width 172±2mm / 6.77inch

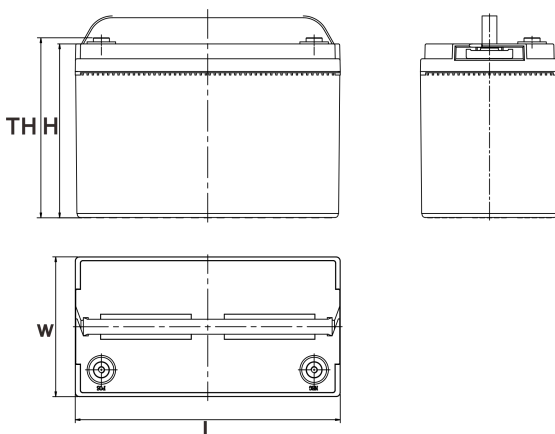
Container Height 214±3mm / 8.43inch

Total Height 221.5±3mm / 8.72inch



Application

- ♦ Uninterrupted Power Supply (UPS)
- ♦ Communications and electric equipment
- ♦ Emergency lighting equipment
- ♦ Fire alarm and security system
- ♦ Robots, control equipment, and other factory automation equipment
- ♦ Emergency power supply (EPS)
- ♦ Portable VTR/TV, radio and so on
- ♦ Power tools, lawn mowers, vacuum cleaners
- ♦ Cameras and photographic equipment
- ♦ Portable measuring equipment
- ♦ Portable telephone sets
- ♦ Various power toys and hobby equipment
- ♦ Lighting equipment



Terminal

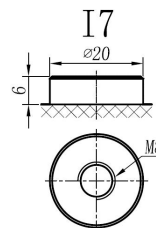
Unit:mm

Terminal Type: I7

Weight

28kg

61.91lbs



ISO9001 ISO14001 OHSAS18001

This document is subject to change without prior notification

Motive Battery

Energy Storage Battery

Reserve Battery

Motorcycle Battery



TNL12-100E

Specificaion

Nominal Voltage	12V	
Rated Capacity(25°C)	100Ah	20hr Rate(1.80V/cell)
	93Ah	10hr Rate(1.80V/cell)
	82Ah	5hr Rate(1.75V/cell)
	78Ah	3hr Rate(1.70V/cell)
	59Ah	1hr Rate(1.60V/cell)
Container Material	ABS (Flame-retardant ABS UL94-V0 is optional)	
Operating Temperature Range	Discharge	-20 ~ +50°C
	Charge	0 ~ +40°C
	Storage	-15 ~ +40°C
Capacity Effected by Temperature	40°C / 104°F	106%
	25°C / 77°F	100%
	0°C / 32°F	86%
	-10°C / 14°F	65%
Charge	Float Voltage	2.23 -2.27V/cell@25°C, Tem.Coefficient : -3mV/cell/°C
	Equalize Voltage	2.35 -2.40V/cell@25°C, Tem.Coefficient : -3mV/cell/°C
	Cycle Voltage	2.40 -2.50V/cell@25°C, Tem.Coefficient : -5mV/cell°C
Max. Charging Current	27.9A (0.3C)	
Max. Discharge Current (5'	1200A	
Internal Resistance	4.9mΩ	
Self-Discharge	<3%, TN series stored at 25 °C require a supplementary charge every six months, the charging interval would shrink when the ambient temperature went higher	

Discharge Performance

Constant Current Discharge Table (25°C/77°F) Unit: A

F.V/Time	10min	15min	20min	30min	45min	1h	2h	3h	4h	5h	6h	8h	10h	20h
1.85V/cell	108.9	91.6	81.3	67.4	52.8	45.12	29.26	21.99	18.03	15.10	13.24	10.61	9.021	4.813
1.80V/cell	124.7	102.9	89.8	73.2	56.9	47.67	31.43	23.60	19.16	16.05	14.00	11.18	9.309	5.008
1.75V/cell	141.6	115.9	99.3	79.6	62.0	51.92	32.66	24.54	19.82	16.42	14.47	11.55	9.589	5.111
1.70V/cell	159.8	128.7	109.7	86.9	66.8	54.94	34.45	25.86	20.67	17.37	15.12	12.02	9.961	5.241
1.67V/cell	171.7	137.7	116.6	91.7	70.7	56.83	35.68	26.90	21.52	17.94	15.69	12.40	10.240	5.399
1.60V/cell	188.9	150.8	126.7	97.8	73.5	58.52	36.63	27.56	21.99	18.31	15.97	12.59	10.426	5.483

Constant Power Discharge Table (25°C/77°F) Unit: W

F.V/Time	10min	15min	20min	30min	45min	1h	2h	3h	4h	5h	6h	8h	10h	20h
1.85V/cell	203.4	172.8	154.8	129.8	101.0	86.76	56.51	42.64	35.10	29.60	25.97	20.95	18.060	9.589
1.80V/cell	230.0	191.4	168.7	138.9	108.1	91.04	60.32	45.62	37.05	31.19	27.37	21.97	18.619	9.961
1.75V/cell	257.1	213.1	184.6	149.7	116.8	98.77	62.56	47.20	38.17	31.84	28.21	22.62	19.084	10.147
1.70V/cell	283.8	233.2	202.3	162.5	125.4	104.26	65.72	49.62	39.84	33.61	29.51	23.55	19.736	10.426
1.67V/cell	302.1	247.8	213.6	170.1	131.4	107.06	67.77	51.39	41.24	34.54	30.44	24.30	20.294	10.799
1.60V/cell	324.8	267.0	229.6	180.2	135.9	109.66	69.17	52.50	42.08	35.28	31.00	24.67	20.667	21.132

☐ 动力电池

■ 储能电池

■ 备用电池

☐ 摩托车电池



阀控式免维护AGM电池-长寿命系列

TNL12-100E

(12V 100Ah)

产品特点

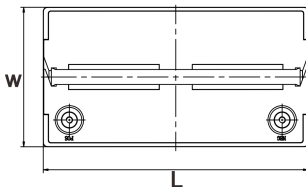
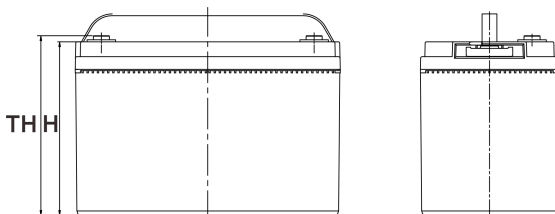
- ◆ 阀控式免维护设计，寿命期间无需加水或加酸
- ◆ 专利稀土合金板栅，减少气体产生，自放电率低，抗腐蚀能力出众
- ◆ 电池寿命长，自放电率低具有高可靠性，深放电恢复能力出色
- ◆ 高质量AGM隔板：防止微短路，延长循环寿命
- ◆ ABS壳盖：电池外壳强度高（阻燃壳体UL94-V0可选）



尺寸

单个尺寸

长	330±2mm
宽	172±2mm
高	214±3mm
总高	221.5±3mm



产品应用

- ◆ 不间断电源(UPS)
- ◆ 通信和电力设备
- ◆ 紧急照明设备
- ◆ 火灾报警及安防系统
- ◆ 机器人、控制设备及其他机械自动化设备
- ◆ 应急电源系统
- ◆ 便携式音频设备
- ◆ 电动工具，割草机，真空吸尘器
- ◆ 照相设备
- ◆ 便携式测量工具
- ◆ 便携式通话设备
- ◆ 各式电动玩具及娱乐设施
- ◆ 照明设备

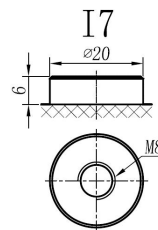
端子类型

单位:mm

端子类型 I7

重量

28kg 61.91lbs



ISO9001 ISO14001 OHSAS18001

内容如有改动，恕不另行通知

动力电池

储能电池

备用电池

摩托车电池



TNL12-100E

规格书

额定电压	12V	
容量(25°C)	100Ah	20hr Rate(1.80V/cell)
	93Ah	10hr Rate(1.80V/cell)
	82Ah	5hr Rate(1.75V/cell)
	78Ah	3hr Rate(1.70V/cell)
	59Ah	1hr Rate(1.60V/cell)
壳体材料	ABS (阻燃ABS壳体可选)	
使用温度范围	放电	-20 ~ +50°C
	充电	0 ~ +40°C
	储存	-15 ~ +40°C
不同温度下 电池容量系数	40°C / 104°F	106%
	25°C / 77°F	100%
	0°C / 32°F	86%
	-10°C / 14°F	65%
充电	浮充电压	2.23 -2.27V/单格@25°C, 温度补偿系数: -3mV/单格/°C
	均充电压	2.35 -2.40V/单格@25°C, 温度补偿系数: -3mV/单格/°C
	循环使用电压	2.40 -2.50V/单格@25°C, 温度补偿系数: -5mV/单格/°C
最大充电电流	27.9A (0.3C)	
最大放电电流 (5S)	1200A	
电阻	4.9mΩ	
自放电	<3%, TN系列储存在25°C 时需每6个月进行一次补充充电, 环境温度更高时则充电间隔时间越短	

放电性能

恒电流放电表 (25°C/77°F) 单位: A														
F.V/Time	10min	15min	20min	30min	45min	1h	2h	3h	4h	5h	6h	8h	10h	20h
1.85V/cell	108.9	91.6	81.3	67.4	52.8	45.12	29.26	21.99	18.03	15.10	13.24	10.61	9.021	4.813
1.80V/cell	124.7	102.9	89.8	73.2	56.9	47.67	31.43	23.60	19.16	16.05	14.00	11.18	9.309	5.008
1.75V/cell	141.6	115.9	99.3	79.6	62.0	51.92	32.66	24.54	19.82	16.42	14.47	11.55	9.589	5.111
1.70V/cell	159.8	128.7	109.7	86.9	66.8	54.94	34.45	25.86	20.67	17.37	15.12	12.02	9.961	5.241
1.67V/cell	171.7	137.7	116.6	91.7	70.7	56.83	35.68	26.90	21.52	17.94	15.69	12.40	10.240	5.399
1.60V/cell	188.9	150.8	126.7	97.8	73.5	58.52	36.63	27.56	21.99	18.31	15.97	12.59	10.426	5.483

恒功率放电表 (25°C/77°F) 单位: W														
F.V/Time	10min	15min	20min	30min	45min	1h	2h	3h	4h	5h	6h	8h	10h	20h
1.85V/cell	203.4	172.8	154.8	129.8	101.0	86.76	56.51	42.64	35.10	29.60	25.97	20.95	18.060	9.589
1.80V/cell	230.0	191.4	168.7	138.9	108.1	91.04	60.32	45.62	37.05	31.19	27.37	21.97	18.619	9.961
1.75V/cell	257.1	213.1	184.6	149.7	116.8	98.77	62.56	47.20	38.17	31.84	28.21	22.62	19.084	10.147
1.70V/cell	283.8	233.2	202.3	162.5	125.4	104.26	65.72	49.62	39.84	33.61	29.51	23.55	19.736	10.426
1.67V/cell	302.1	247.8	213.6	170.1	131.4	107.06	67.77	51.39	41.24	34.54	30.44	24.30	20.294	10.799
1.60V/cell	324.8	267.0	229.6	180.2	135.9	109.66	69.17	52.50	42.08	35.28	31.00	24.67	20.667	21.132