

Motive Battery

Energy Storage Battery

Reserve Battery

Motorcycle Battery



Maintenance Free-High Rate UPS Battery-TNX Series

TNX12-490W

(12V 490W, 15min@1.67Vpc)

(12V 150Ah, C10 @1.80Vpc)

GENERAL FEATURES

- ♦ Oxygen recombination technology: maintenance-free, no need to add water or acid during application
- ♦ Optimized plate design to increase power output at 15min backup time, high performance in high-rate discharge
- ♦ Wide operating temperature range from -20°C to 55°C, excellent deep discharge recovery capability
- ♦ New structure for plate grid, good corrosion resistance and greatly reduced resistance of the battery,
- ♦ 12 years design life @25°C, low self-discharge rate



Application

- ♦ UPS (High Rate)
- ♦ Communication Equipments
- ♦ Security systems
- ♦ Data & Network centers
- ♦ Emergency power supply (EPS)
- ♦ Bank and financial system
- ♦ Hospitals & Testing laboratories

Dimension

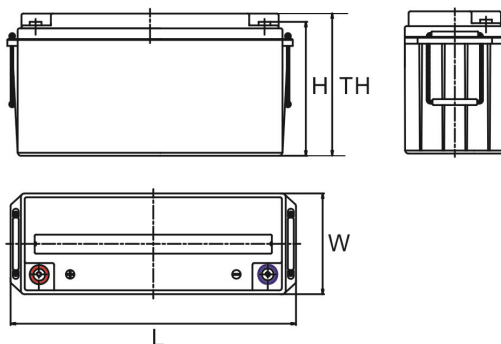
Unit:mm

Length 480±2mm / 18.9inch

Width 170±2mm / 6.69inch

Container Height 240±3mm / 9.45inch

Total Height 240±3mm / 9.45inch



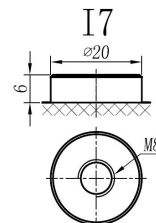
Terminal

Unit:mm

Terminal Type: I7

Weight

42.2kg 93.03lbs



ISO9001 ISO14001 OHSAS18001

This document is subject to change without prior notification

- Motive Battery Energy Storage Battery
 Reserve Battery Motorcycle Battery



TNX12-490W

Specification

Nominal Voltage	12V	
Rated Power (15min Rate 25°C)	490W F.V (1.67V/cell)	
Rated Capacity (10HR 25°C)	150Ah (1.80V/cell)	
Dimension	Length	480±2mm / 18.9inch
	Width	170±2mm / 6.69inch
	Container Height	240±3mm / 9.45inch
	Total Height	240±3mm / 9.45inch
Weight	42.2kg / 93.03lbs	
Terminal	I7	
Container Material	ABS (Flame-retardant ABS UL94-V0 is optional)	
Operating Temperature Range	Discharge	-20 ~ +50°C
	Charge	0 ~ +40°C
	Storage	-15 ~ +40°C
Capacity Effected by Temperature	40°C / 104°F	106%
	25°C / 77°F	100%
	0°C / 32°F	86%
	-10°C / 14°F	65%
Charge	Float Voltage	2.25 -2.27V/cell@25°C, Tem.Coefficient : -3mV/cell/°C
	Equalize Voltage	2.40 -2.50V/cell@25°C, Tem.Coefficient : -3mV/cell/°C
	Cycle Voltage	2.40 -2.50V/cell@25°C, Tem.Coefficient : -5mV/cell/°C
Max. Charging Current	45A (0.3C)	
Max. Discharge Current (5S)	1500A	
Internal Resistance	3.5mΩ	
Self-Discharge	<3%, TNX series stored at 25 °C require a supplementary charge every six months, the charging interval would shrink when the ambient temperature went higher	

Discharge Performance

Constant Current Discharge Table (25°C/77°F) Unit: A															
F.V/Time	5min	10min	15min	20min	30min	45min	1h	2h	3h	4h	5h	6h	8h	10h	20h
1.85V/cell	254.4	208.9	187.1	164.4	128.1	98.5	79.40	47.42	35.61	28.64	24.13	20.98	17.83	14.390	7.514
1.80V/cell	321.8	250.5	211.5	181.0	138.5	105.7	85.51	50.58	37.58	30.01	25.12	21.96	18.51	14.966	7.813
1.75V/cell	364.3	279.2	230.0	193.0	146.3	111.2	88.55	52.34	38.47	30.60	25.80	22.55	18.72	15.062	7.881
1.70V/cell	399.0	303.9	246.6	204.3	152.8	115.6	92.09	53.92	39.55	31.39	26.49	23.05	18.91	15.254	7.968
1.67V/cell	428.7	323.7	263.1	215.0	159.1	119.6	95.54	55.69	40.74	32.27	27.09	23.54	19.11	15.456	8.045
1.60V/cell	470.3	344.5	276.4	225.2	165.6	123.9	98.78	57.36	41.62	32.96	27.68	24.13	19.40	15.648	8.142

Constant Power Discharge Table (25°C/77°F) Unit: W															
F.V/Time	5min	10min	15min	20min	30min	45min	1h	2h	3h	4h	5h	6h	8h	10h	20h
1.85V/cell	481.0	400.0	361.5	320.3	251.2	194.1	158.83	95.38	71.89	58.03	49.14	42.81	36.28	30.080	15.690
1.80V/cell	604.0	475.0	406.0	350.5	270.3	207.3	170.38	101.30	75.50	60.54	50.85	44.52	37.59	31.190	16.300
1.75V/cell	678.0	526.0	438.7	372.0	284.3	217.7	176.10	104.52	77.11	61.55	52.06	45.63	37.89	31.290	16.400
1.70V/cell	731.0	565.0	466.5	389.5	294.2	224.3	181.62	106.93	78.61	62.65	52.96	46.23	38.09	31.390	16.400
1.67V/cell	774.0	593.0	490.4	404.7	302.9	229.7	186.64	109.44	80.32	63.95	53.77	46.83	38.19	31.490	16.400
1.60V/cell	828.0	619.0	505.2	415.7	309.5	234.1	190.06	110.94	80.92	64.36	54.07	47.34	38.29	31.490	16.400

动力电池

储能电池

备用电池

摩托车电池



阀控免维护-高功率UPS电池-TNX系列

TNX12-490W

(12V 490W, 15min@1.67Vpc)

(12V 150Ah, C10 @1.80Vpc)

产品特点：

- ◆ 氧复合技术: 阀控式免维护, 使用期间无需加水或加酸
- ◆ 极板优化处理, 提升15分钟放电性能, 高倍率放电性能优异
- ◆ 在-20°C到55°C温度区间内均可正常使用, 深放电恢复能力出色
- ◆ 隔板特色设计, 抗腐蚀性能佳, 同时大幅度降低电池内阻
- ◆ 12年设计寿命(25°C), 自放电率低



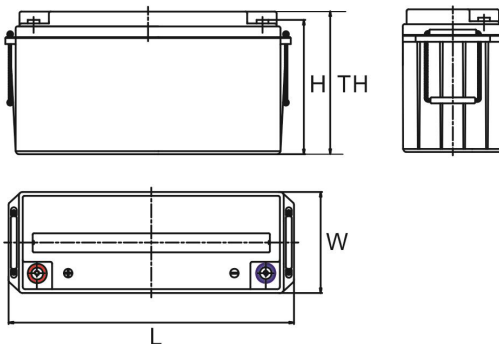
产品应用

- ◆ 不间断电源(高功率)
- ◆ 通讯设备
- ◆ 安全系统
- ◆ 数据网络中心
- ◆ 应急电源系统
- ◆ 银行资金系统
- ◆ 医疗测试设备

尺寸

单个尺寸

长	480±2mm / 18.9inch
宽	170±2mm / 6.69inch
高	240±3mm / 9.45inch
总高	240±3mm / 9.45inch



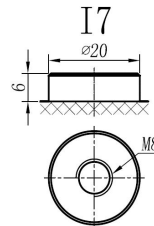
端子类型

单位:mm

端子类型 I7

重量

42.2kg 93.03lbs



ISO9001 ISO14001 OHSAS18001

内容如有改动, 恕不另行通知

动力电池 储能电池 备用电池 摩托车电池

TNX12-490W

规格书

额定电压	12V	
15分钟放电功率	490W F.V (1.67V/cell)	
额定容量 (10小时)	150Ah (1.80V/cell)	
尺寸	长	480±2mm
	宽	170±2mm
	高	240±3mm
	总高	240±3mm
重量	42.2kg	
端子	I7	
壳体材料	ABS (阻燃ABS壳体可选)	
使用温度范围	放电	-20 ~ +50°C
	充电	0 ~ +40°C
	储存	-15 ~ +40°C
不同温度下 电池容量系数	40°C / 104°F	106%
	25°C / 77°F	100%
	0°C / 32°F	86%
	-10°C / 14°F	65%
充电	浮充电压	2.25 -2.27V/单格@25°C, 温度补偿系数: -3mV/单格/°C
	均充电压	2.40 -2.50V/单格@25°C, 温度补偿系数: -3mV/单格/°C
	循环使用电压	2.40 -2.50V/单格@25°C, 温度补偿系数: -5mV/单格/°C
最大充电电流	45A (0.3C)	
最大放电电流 (5S)	1500A	
电阻	3.5mΩ	
自放电	<3%, TNX系列储存在25°C时需每6个月进行一次补充充电, 环境温度更高时则充电间隔时间越短	

放电性能

恒电流放电表 (25°C/77°F) 单位: A															
F.V/Time	5min	10min	15min	20min	30min	45min	1h	2h	3h	4h	5h	6h	8h	10h	20h
1.85V/cell	254.4	208.9	187.1	164.4	128.1	98.5	79.40	47.42	35.61	28.64	24.13	20.98	17.83	14.390	7.514
1.80V/cell	321.8	250.5	211.5	181.0	138.5	105.7	85.51	50.58	37.58	30.01	25.12	21.96	18.51	14.966	7.813
1.75V/cell	364.3	279.2	230.0	193.0	146.3	111.2	88.55	52.34	38.47	30.60	25.80	22.55	18.72	15.062	7.881
1.70V/cell	399.0	303.9	246.6	204.3	152.8	115.6	92.09	53.92	39.55	31.39	26.49	23.05	18.91	15.254	7.968
1.67V/cell	428.7	323.7	263.1	215.0	159.1	119.6	95.54	55.69	40.74	32.27	27.09	23.54	19.11	15.456	8.045
1.60V/cell	470.3	344.5	276.4	225.2	165.6	123.9	98.78	57.36	41.62	32.96	27.68	24.13	19.40	15.648	8.142

恒功率放电表 (25°C/77°F) 单位: W															
F.V/Time	5min	10min	15min	20min	30min	45min	1h	2h	3h	4h	5h	6h	8h	10h	20h
1.85V/cell	481.0	400.0	361.5	320.3	251.2	194.1	158.83	95.38	71.89	58.03	49.14	42.81	36.28	30.080	15.690
1.80V/cell	604.0	475.0	406.0	350.5	270.3	207.3	170.38	101.30	75.50	60.54	50.85	44.52	37.59	31.190	16.300
1.75V/cell	678.0	526.0	438.7	372.0	284.3	217.7	176.10	104.52	77.11	61.55	52.06	45.63	37.89	31.290	16.400
1.70V/cell	731.0	565.0	466.5	389.5	294.2	224.3	181.62	106.93	78.61	62.65	52.96	46.23	38.09	31.390	16.400
1.67V/cell	774.0	593.0	490.4	404.7	302.9	229.7	186.64	109.44	80.32	63.95	53.77	46.83	38.19	31.490	16.400
1.60V/cell	828.0	619.0	505.2	415.7	309.5	234.1	190.06	110.94	80.92	64.36	54.07	47.34	38.29	31.490	16.400