

Motive Battery

Energy Storage Battery

Reserve Battery

Motorcycle Battery



## Maintenance Free-High Rate UPS Battery-TNX Series

# TNX12-690W

(12V 690W, 15min@1.67Vpc)

(12V 200Ah, C10 @1.80Vpc)

### GENERAL FEATURES

- ♦ Oxygen recombination technology: maintenance-free, no need to add water or acid during application
- ♦ Optimized plate design to increase power output at 15min backup time, high performance in high-rate discharge
- ♦ Wide operating temperature range from -20°C to 55°C, excellent deep discharge recovery capability
- ♦ New structure for plate grid, good corrosion resistance and greatly reduced resistance of the battery,
- ♦ 12 years design life @25°C, low self-discharge rate



### Application

- ♦ UPS ( High Rate )
- ♦ Communication Equipments
- ♦ Security systems
- ♦ Data & Network centers
- ♦ Emergency power supply ( EPS )
- ♦ Bank and financial system
- ♦ Hospitals & Testing laboratories

### Dimension

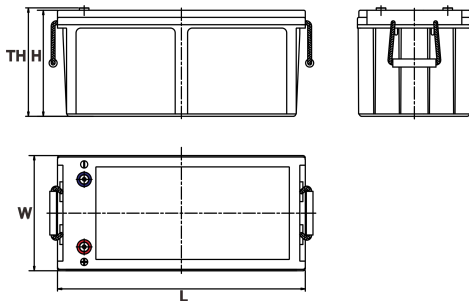
Unit:mm

Length 520±2mm / 20.47inch

Width 239±2mm / 9.41inch

Container Height 220±3mm / 8.66inch

Total Height 225±3mm / 8.86inch



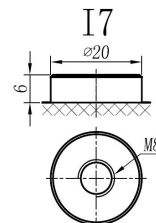
### Terminal

Unit:mm

Terminal Type: I7

### Weight

62kg 136.69lbs



This document is subject to change without prior notification

Motive Battery Energy Storage Battery Reserve Battery Motorcycle Battery

## TNX12-690W

### Specifaion

<b>Nominal Voltage</b>	12V	
<b>Rated Power (15min Rate 25°C)</b>	690W F.V (1.67V/cell)	
<b>Rated Capacity (10HR 25°C)</b>	200Ah (1.80V/cell)	
<b>Dimension</b>	<b>Length</b>	520±2mm / 20.47inch
	<b>Width</b>	239±2mm / 9.41inch
	<b>Container Height</b>	220±3mm / 8.66inch
	<b>Total Height</b>	225±3mm / 8.86inch
<b>Weight</b>	62kg / 136.69lbs	
<b>Terminal</b>	I7	
<b>Container Material</b>	ABS ( Flame-retardant ABS UL94-V0 is optional )	
<b>Operating Temperature Range</b>	<b>Discharge</b>	-20 ~ +50°C
	<b>Charge</b>	0 ~ +40°C
	<b>Storage</b>	-15 ~ +40°C
<b>Capacity Effectuated by Temperature</b>	<b>40°C / 104°F</b>	106%
	<b>25°C / 77°F</b>	100%
	<b>0°C / 32°F</b>	86%
	<b>-10°C / 14°F</b>	65%
<b>Charge</b>	<b>Float Voltage</b>	2.25 -2.27V/cell@25°C, Tem.Coefficient : -3mV/cell/°C
	<b>Equalize Voltage</b>	2.40 -2.50V/cell@25°C, Tem.Coefficient : -3mV/cell/°C
	<b>Cycle Voltage</b>	2.40 -2.50V/cell@25°C, Tem.Coefficient : -5mV/cell°C
<b>Max. Charging Current</b>	60A ( 0.3C )	
<b>Max. Discharge Current (5S)</b>	2000A	
<b>Internal Resistance</b>	2.7mΩ	
<b>Self-Discharge</b>	<3%, TNX series stored at 25 °C require a supplementary charge every six months, the charging interval would shrink when the ambient temperature went higher	

### Discharge Performance

Constant Current Discharge Table (25°C/77°F) Unit: A														
F.V/Time	10min	15min	20min	30min	45min	1h	2h	3h	4h	5h	6h	8h	10h	20h
1.85V/cell	318.4	274.8	179.8	136.7	112.7	78.40	65.37	47.73	37.73	31.56	28.03	23.42	19.400	9.991
1.80V/cell	348.1	293.8	188.9	141.8	119.6	84.28	69.68	50.67	39.79	33.32	29.50	24.50	19.982	10.379
1.75V/cell	371.8	311.0	196.4	146.8	122.8	87.22	71.44	51.74	40.96	34.20	30.09	24.79	20.273	10.476
1.70V/cell	405.1	332.0	202.8	151.8	126.7	89.18	72.72	53.02	41.85	34.79	30.67	24.99	20.564	10.573
1.67V/cell	434.8	355.9	208.3	154.7	130.7	91.14	74.19	53.61	42.63	35.38	31.07	25.28	20.758	10.670
1.60V/cell	455.0	370.6	213.8	158.7	134.6	93.10	75.46	54.78	43.41	35.87	31.46	25.48	20.855	10.767

Constant Power Discharge Table (25°C/77°F) Unit: W														
F.V/Time	10min	15min	20min	30min	45min	1h	2h	3h	4h	5h	6h	8h	10h	20h
1.85V/cell	609.4	548.2	356.1	272.6	225.7	158.00	132.70	97.20	77.10	64.70	57.60	48.30	40.500	20.900
1.80V/cell	661.4	582.6	372.4	281.1	238.5	165.50	141.10	102.90	81.00	68.20	60.50	50.40	41.600	21.600
1.75V/cell	701.2	612.7	385.7	290.2	244.2	170.00	144.20	104.80	83.20	69.60	61.50	50.80	41.900	21.700
1.70V/cell	757.8	650.0	396.5	299.2	251.3	175.00	146.30	107.00	84.80	70.70	62.40	51.00	42.400	21.800
1.67V/cell	805.5	690.4	405.0	303.5	258.1	180.00	148.80	108.00	86.10	71.80	63.20	51.40	42.700	22.000
1.60V/cell	834.2	712.9	412.6	309.3	264.7	185.00	150.70	109.80	87.40	72.50	63.80	51.80	43.000	22.100

动力电池

储能电池

备用电池

摩托车电池



## 阀控免维护-高功率UPS电池-TNX系列

# TNX12-690W

(12V 690W, 15min@1.67Vpc)

(12V 200Ah, C10 @1.80Vpc)

### 产品特点：

- ◆ 氧复合技术: 阀控式免维护, 使用期间无需加水或加酸
- ◆ 极板优化处理, 提升15分钟放电性能, 高倍率放电性能优异
- ◆ 在-20°C到55°C温度区间内均可正常使用, 深放电恢复能力出色
- ◆ 隔板特色设计, 抗腐蚀性能佳, 同时大幅度降低电池内阻
- ◆ 12年设计寿命(25°C), 自放电率低



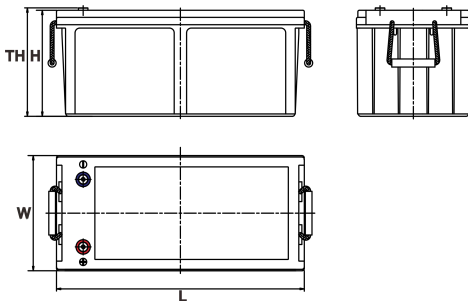
### 产品应用

- ◆ 不间断电源(高功率)
- ◆ 通讯设备
- ◆ 安全系统
- ◆ 数据网络中心
- ◆ 应急电源系统
- ◆ 银行资金系统
- ◆ 医疗测试设备

### 尺寸

单个尺寸

长	520±2mm / 20.47inch
宽	239±2mm / 9.41inch
高	220±3mm / 8.66inch
总高	225±3mm / 8.86inch



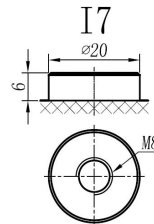
### 端子类型

单位:mm

端子类型 I7

### 重量

62kg 136.69lbs



ISO9001 ISO14001 OHSAS18001

内容如有改动, 恕不另行通知

动力电池 储能电池 备用电池 摩托车电池

## TNX12-690W

### 规格书

额定电压	12V	
15分钟放电功率	690W F.V (1.67V/cell)	
额定容量 (10小时)	200Ah (1.80V/cell)	
尺寸	长	520±2mm
	宽	239±2mm
	高	220±3mm
	总高	225±3mm
重量	62kg	
端子	I7	
壳体材料	ABS (阻燃ABS壳体可选)	
使用温度范围	放电	-20 ~ +50°C
	充电	0 ~ +40°C
	储存	-15 ~ +40°C
不同温度下 电池容量系数	40°C / 104°F	106%
	25°C / 77°F	100%
	0°C / 32°F	86%
	-10°C / 14°F	65%
充电	浮充电压	2.25 - 2.27V/单格@25°C, 温度补偿系数: -3mV/单格/°C
	均充电压	2.40 - 2.50V/单格@25°C, 温度补偿系数: -3mV/单格/°C
	循环使用电压	2.40 - 2.50V/单格@25°C, 温度补偿系数: -5mV/单格/°C
最大充电电流	60A (0.3C)	
最大放电电流 (5S)	2000A	
电阻	2.7mΩ	
自放电	<3%, TNX系列储存在25°C时需每6个月进行一次补充充电, 环境温度更高时则充电间隔时间越短	

### 放电性能

恒电流放电表 (25°C/77°F) 单位: A														
F.V/Time	10min	15min	20min	30min	45min	1h	2h	3h	4h	5h	6h	8h	10h	20h
1.85V/cell	318.4	274.8	179.8	136.7	112.7	78.40	65.37	47.73	37.73	31.56	28.03	23.42	19.400	9.991
1.80V/cell	348.1	293.8	188.9	141.8	119.6	84.28	69.68	50.67	39.79	33.32	29.50	24.50	19.982	10.379
1.75V/cell	371.8	311.0	196.4	146.8	122.8	87.22	71.44	51.74	40.96	34.20	30.09	24.79	20.273	10.476
1.70V/cell	405.1	332.0	202.8	151.8	126.7	89.18	72.72	53.02	41.85	34.79	30.67	24.99	20.564	10.573
1.67V/cell	434.8	355.9	208.3	154.7	130.7	91.14	74.19	53.61	42.63	35.38	31.07	25.28	20.758	10.670
1.60V/cell	455.0	370.6	213.8	158.7	134.6	93.10	75.46	54.78	43.41	35.87	31.46	25.48	20.855	10.767

恒功率放电表 (25°C/77°F) 单位: W														
F.V/Time	10min	15min	20min	30min	45min	1h	2h	3h	4h	5h	6h	8h	10h	20h
1.85V/cell	609.4	548.2	356.1	272.6	225.7	158.00	132.70	97.20	77.10	64.70	57.60	48.30	40.500	20.900
1.80V/cell	661.4	582.6	372.4	281.1	238.5	165.50	141.10	102.90	81.00	68.20	60.50	50.40	41.600	21.600
1.75V/cell	701.2	612.7	385.7	290.2	244.2	170.00	144.20	104.80	83.20	69.60	61.50	50.80	41.900	21.700
1.70V/cell	757.8	650.0	396.5	299.2	251.3	175.00	146.30	107.00	84.80	70.70	62.40	51.00	42.400	21.800
1.67V/cell	805.5	690.4	405.0	303.5	258.1	180.00	148.80	108.00	86.10	71.80	63.20	51.40	42.700	22.000
1.60V/cell	834.2	712.9	412.6	309.3	264.7	185.00	150.70	109.80	87.40	72.50	63.80	51.80	43.000	22.100